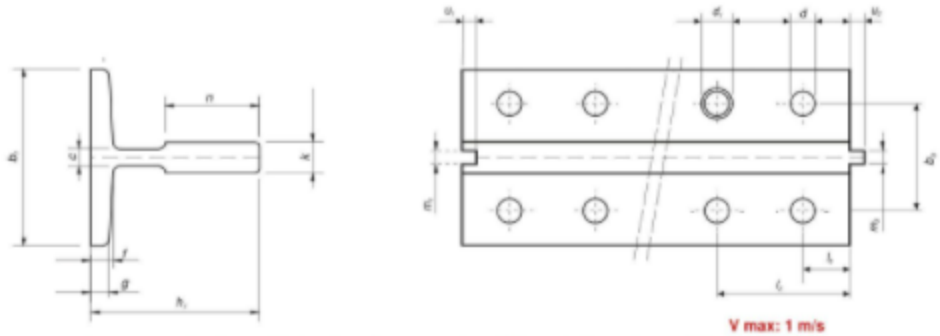


## COLD DRAWN GUIDE RAILS / SOĞUK ÇEKİLMİŞ RAYLAR



V max: 1 m/s

Counterweight guide's physical dimensions / Karşı ağırlık ray fiziksel ölçüler (mm)

TS ISO 7465 Mart 2011	b <sub>1</sub>	h <sub>1</sub>	k	p	m <sub>1</sub>	m <sub>2</sub>	u <sub>1</sub>	u <sub>2</sub>
	Tolerances / Toleranslar							
T50/A	±1	±0,2	±0,15	±0,5	+0,06 0	0 -0,06	±0,1	±0,1



Physical dimensions / Fiziksel ölçüler (mm)

TS ISO 7465 Mart 2011	b <sub>1</sub>	h <sub>1</sub>	k	n	c	f	g	m <sub>1</sub>	m <sub>2</sub>	u <sub>1</sub>	u <sub>2</sub>
	Tolerances / Toleranslar										
	±1,5	±0,1	+0,1 0	+3 0	-	±0,75	±0,75	+0,06 0	0 -0,06	±0,1	±0,1
T70/A	70	65	9	34	6	8	6	3	2,97	3,5	3
T75/A	75	62	10	30	8	9	7	3	2,97	3,50	3
T89/A	89	62	16	34	10	11,1	7,9	6,4	6,37	7,14	6,35
T90/A	90	75	16	42	10	10	8	6,4	6,37	7,14	6,35

Technical Characteristics / Teknik özellikler

TS ISO 7465 Mart 2011	S	q <sub>1</sub>	e	I <sub>x-x</sub>	W <sub>x-x</sub>	I <sub>x-x</sub>	I <sub>y-y</sub>	W <sub>y-y</sub>	I <sub>y-y</sub>
	cm <sup>2</sup>	Kg/m	cm	cm <sup>4</sup>	cm <sup>3</sup>	cm	cm <sup>4</sup>	cm <sup>3</sup>	cm
T50/A	4,75	3,73	1,43	11,24	3,15	1,54	5,25	2,1	1,05
T70/A	9,4	7,379	2,034	40,95	9,169	2,087	18,86	5,389	1,417
T75/A	10,91	8,564	1,861	40,29	9,287	1,921	26,47	7,06	1,557
T89/A	15,77	12,38	2,032	59,83	14,35	1,948	52,41	11,78	1,823
T90/A	17,25	13,54	2,612	102	20,86	2,431	52,48	11,66	1,744

Holes and Fishplates / Bağlantı pabucları

TS ISO 7465 Mart 2011	d	I <sub>1</sub>	I <sub>2r</sub>	I <sub>2l</sub>	b <sub>2</sub>	b <sub>3</sub>	V <sub>orb</sub>	TS EN 4017	Tornik
	Tolerances / Toleranslar								
		+3 0	±0,2	±0,2	-	±0,2	+3 0		
T50/A	9	200	75	25	50	30	8	M8x25	M1
T70/A	13	250	105	25	70	42	10	M12x35	M2
T75/A	13	250	105	25	70	42	10	M12x35	M2
T89/A	13	305	114,3	38,1	90	57,2	13	M12x40	M3
T90/A	13	305	114,3	38,1	90	57,2	13	M12x40	M3

